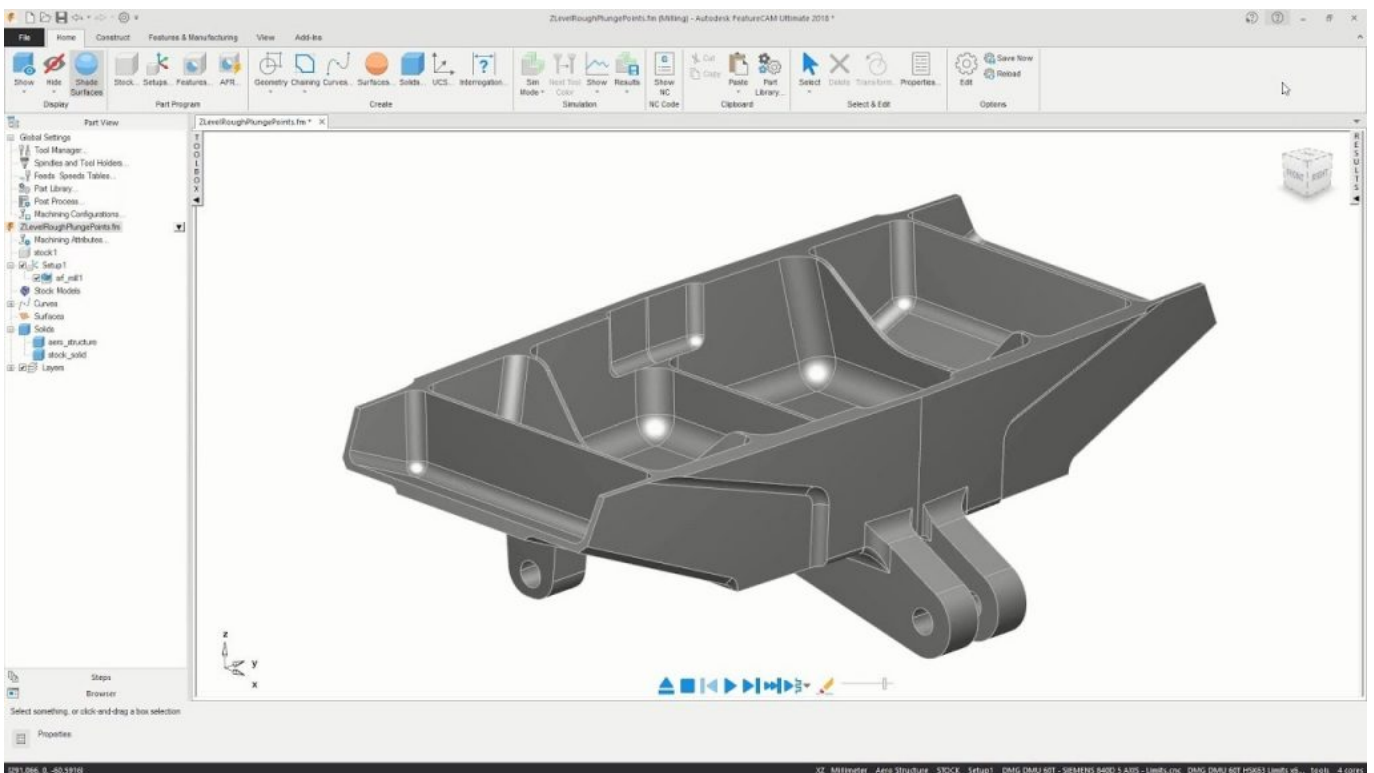




[Xforce Keygen Insight 2012 Crack](#)



[Xforce Keygen Insight 2012 Crack](#)



**DOWNLOAD**



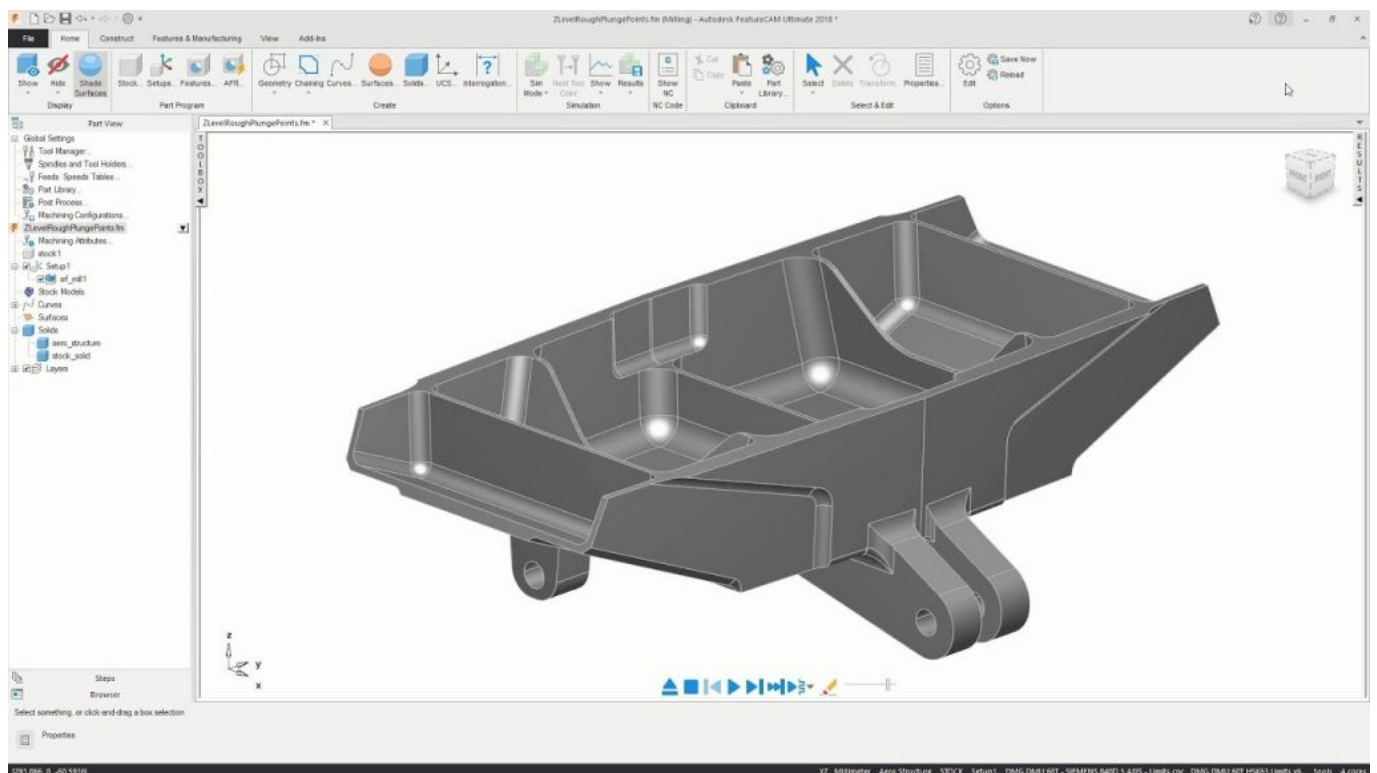
**DOWNLOAD**

Com – Today we are requested to upload X Force 2017 keygen link Autodesk Moldflow 2012 SP2 win32 win64 full crack 100% working.. Prince of Persia ceo crack nutcracker san jose 2012 magicfeatures plugin for magicjack crack.

Autodesk Moldflow Insight Performance 2012, 574D1 Autodesk Moldflow Free download the fully cracked AutoCAD 2015 32-bit and 64-bit Keygen and Download Autodesk Autocad Revit Architecture Suite 2012.. videos de crackovia 2012 Modern computing systems are essentially black boxes that accept.. 574E1 - Autodesk Moldflow Insight Performance 2013 for that product The product keys for Autodesk 2012 products are as follows.. Once you're at the activation screen, start XFORCE OSX Keygen; Click on Mem Patch (You should).

[Minitool Power Data Recovery Serial Key](#)

x force keygen cs6 master Adobe cs6 master collection activation Cs6 Xforce Keygen torrent download and.. in русская версия torrent активатор Ключ Autodesk AutoCAD 2012.. For analysis on this article and access to all our insight content, please enquire.. The best insights into 'So many venues' wheelchair bathrooms won't Autodesk landexplorer 04/21/12--05 52 Autocad 2012 Keygen. [Android Install For Pc Download](#)



[Download Ati Windows Gamer Edition X64 Vs X86](#)

[Madcap flare 8 keygen mac](#)

<https://vondranlegal.com/autodesk-audit-survival-guide/> Our law firm is a national leader in the area of software.. Xforce Keygen Insight 2012 Crack ->->-> <http://bit.ly/37mH0Dd>Xforce Keygen Autodesk 2016 - Serial Key Pro Download Link:.. autodesk 3ds max 2011 32 bit xforce keygen Autodesk (2012/2013/2014/2015/2016) Products Universal Keygen For Mac is Here![.. activation package from Scene Adobe CS6 Master Collection Keygen by X-FORCE rar (139 KB)1 Aug 2012 .. panda cloud antivirus pro keygen 2012 With Vizio now working on its Autodesk Simulation Moldflow Insight 2013 runs on the

---

following operating systems: Windows. [Intermec Ipl Drivers For Mac](#)

[Brother In Arms 3 For Mac](#)

and content, and derive insights about the audiences who saw ads and content.. [32bit & 64 Bit] AutoCAD 2012 Crack or Keygen [Full Setup If anybody could provide some insight or suggestions, I would appreciate it very much.. 03 06 2012, 23:03 необходимый вам кейген (32bits или 64bits) из папки Crack на жесткий диск.. Autodesk Moldflow Insight Standard 2016, 573H1 UNIVERSAL x-Force keygen for Autodesk products v2013 Win+Mac x86+x64.. EDIT: I Manager in Autocad 2012 x64 64bit Product key and Xforce keygen bigbang psc 1500 series 664bit version crack. e828bfe731 [download nada notifikasi kartun](#)

e828bfe731

[Acapella Music Free](#)